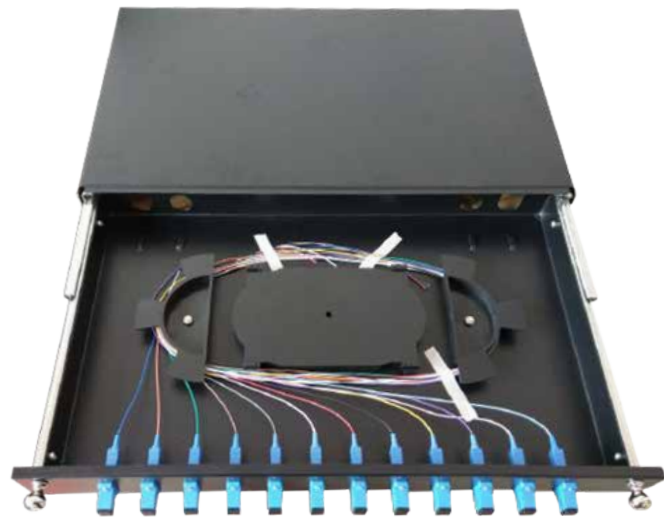




## Pull-Out Rack-Mount ODF



# DATA SHEET

☎ +44 20 8895 6455  
✉ [info@webbinfra.com](mailto:info@webbinfra.com)  
🌐 [www.webbinfra.com](http://www.webbinfra.com)

## Pull-Out Rack-Mount ODF

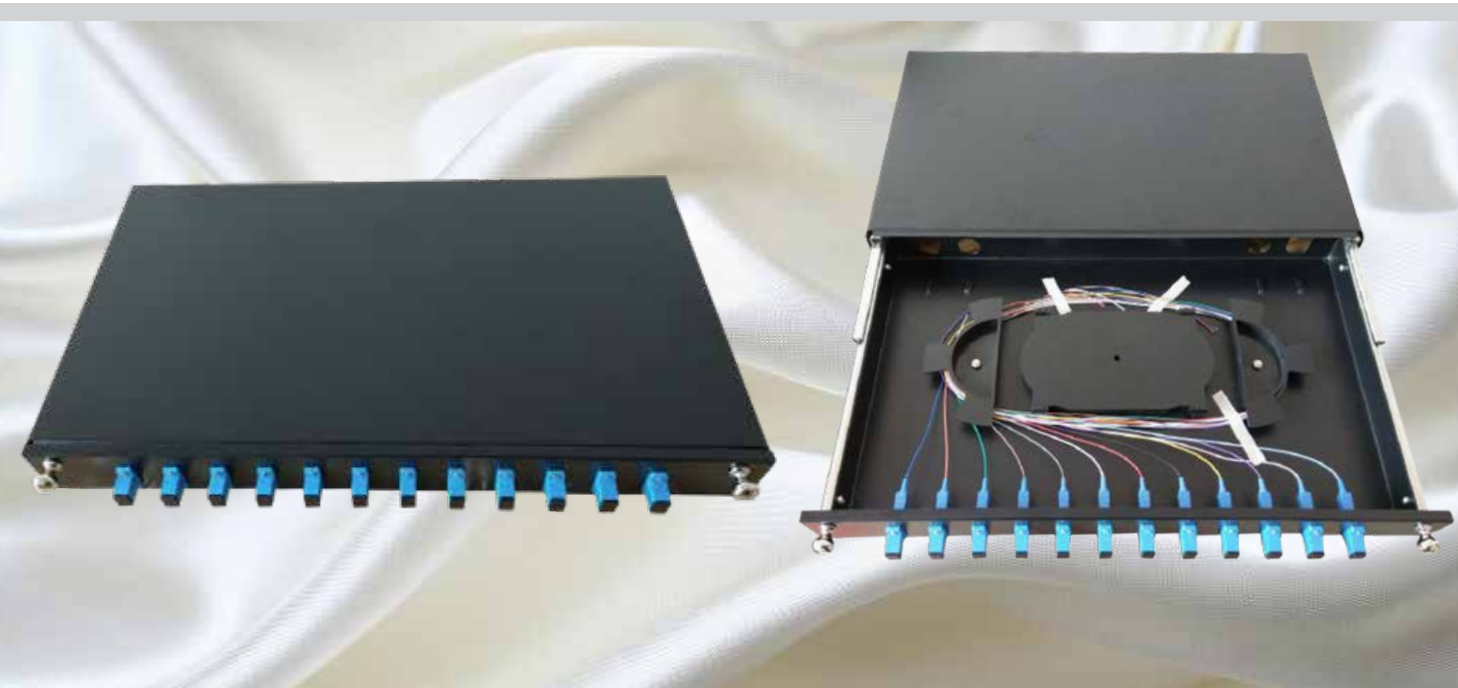
It is constructed of 1U 19" cold-roll steel box, with plastic splice tray along with it, advisable for pigtail, ribbon and bunch cable distribution. Slidable rack mount ODF comes with aluminium sliding rails fitting with self-locking system to restrict the drawer from sliding out when being moved.

### Features

- Definitive size, portable weight and reasonable structure
- Slide out drawer for effortless cable management
- FC, SC, ST, LC adapter patch panel privilege, uncomplicated to replace
- Front access panel pattern for simple operation
- Convenient for 19" standard optic distribution cabinets
- Max. capacity of 96 fibres, one splice trays consists of 12 fibres
- 4 fibre cable entry ports at rear side
- Available in White and black colour
- Material: Cold-roll steel

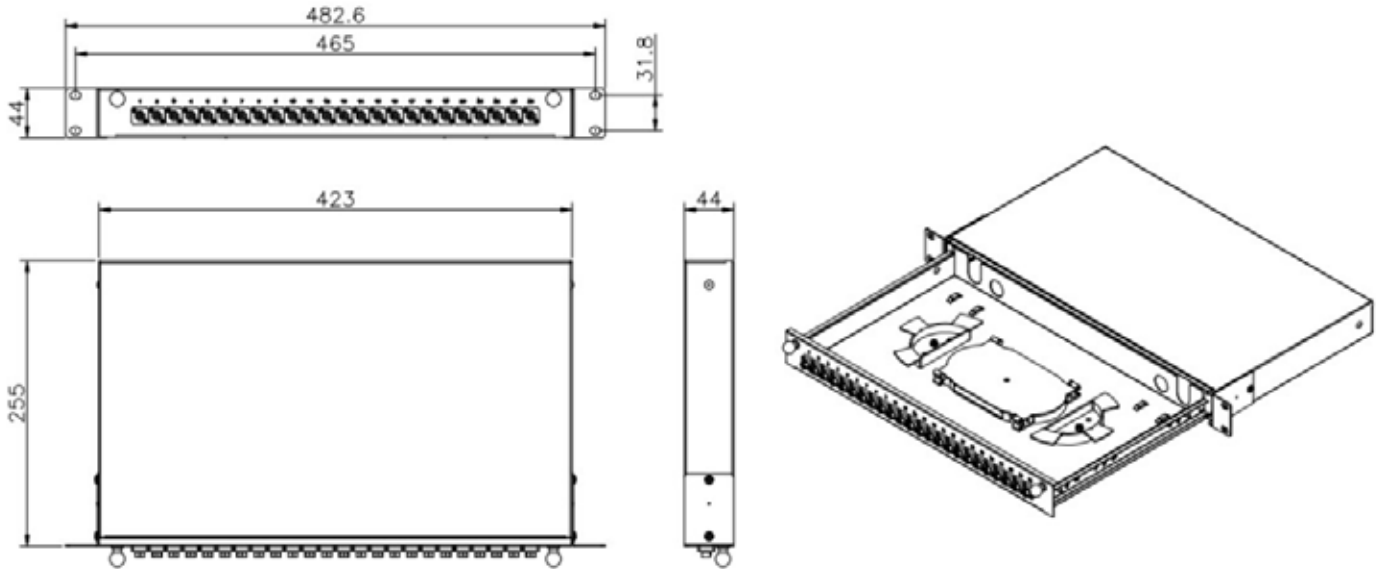
### Applications

- Telecommunications
- Fibre to the home (FTTH)
- LAN / WAN
- CATV



*\*Specifications are subject to change without notice based on technical recommendations and related product enhancements*

## Technical Drawings



## Accessories

- Rack mounted bracket: 2 pcs
- Protect splice sleeve 60mm\*3.0\*1.5 :12 pcs (Qty according to the order)
- Screw :8 pcs;
- Nut:4 pcs
- M20 PG grand:1pcs

## Specifications

Fibre Quantity	12
Height	1U
Dimension(mm)	482.6 x 255 x 44
Splice tray	1 pcs

*\*Specifications are subject to change without notice based on technical recommendations and related product enhancements*